

MSA type EDFA

Features

LXM-MSA is MSA type Erbium doped fiber amplifier (EDFA) module for Booster, Line and Pre-amplifier in the Fiber-optic communication applications.

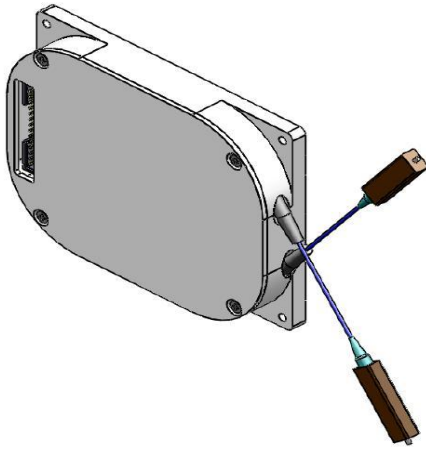
- Optical Output Power : Up to 17dBm
- MSA EDFA compatible electrical interface
- APC(Automatic Power Control) mode with integrated control circuit.
- Support RS232C & I²C interface for control and monitoring
- Power supply voltage : +5V
- Electrical power consumption: less than 4.0W
- Operating temperature range : 0 ~ 65°C



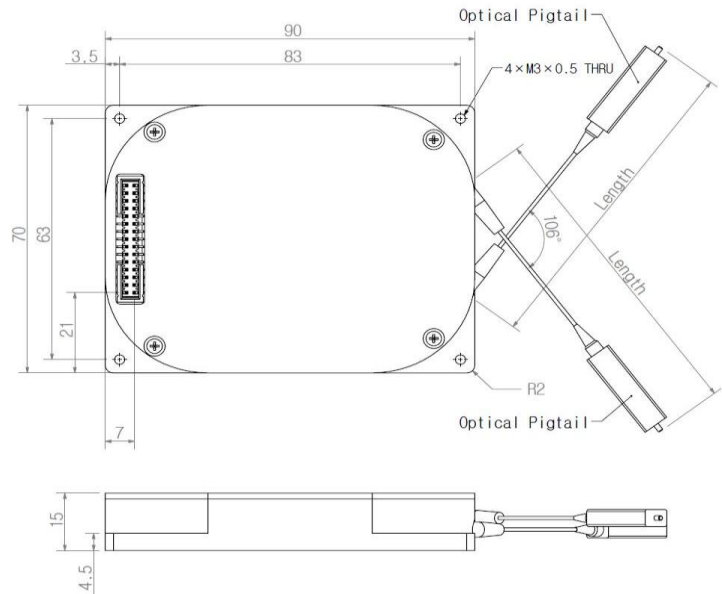
Applications

- C-Band & L-Band
- Single Channel Amplification
- Pre-Amplification for 40G

MSA type EDFA



Outline Dimension



Specifications

Parameter		Min.	Typ.	Max.	Unit	Note	
Optical	Operating wavelength	C-Band	1530		1560	nm	
		L-Band	1570		1600		
	Number of channel				1	Ch.	
	Normal input power		-10		0	dBm	
	Normal output power			17		dBm	
	Optical Isolation(In/Out)		20			dB	
	Noise figure	C-Band			5.5	dB	1
		L-Band			6		
Return loss		40			dB		
Electrical	Operating voltage			5.0		Vdc	
	Power consumption			2.0	4.0	W	
	Interface signal level			5.0		Vdc	
	Interface method		RS-232C, I ² C, TTL				
Unit dimension	Case Size	90(W) X 70(H) X 15(D)			mm		

Notes:

1. Entire operating wavelength and temperature