

# Miniature EDFA

## Features

**LXM-AMPY is miniature type Erbium doped fiber amplifier (EDFA) module for Booster, Line and Pre-amplifier in the Fiber-optic communication applications.**

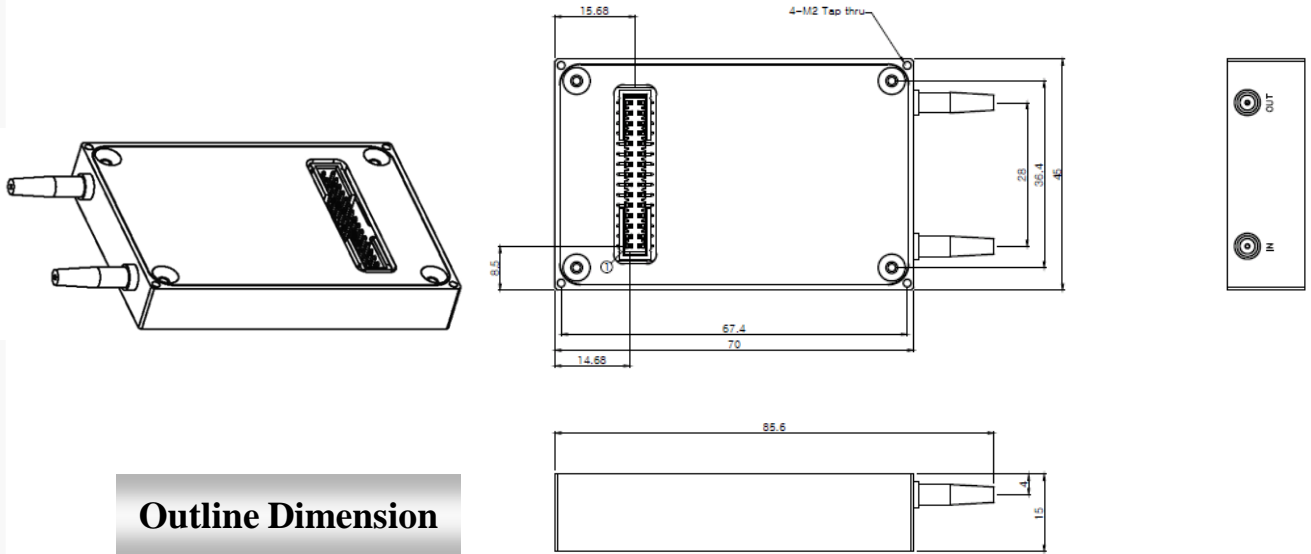
- Optical Output Power : Up to 15dBm
- MSA EDFA compatible electrical interface
- APC(Automatic Power Control) mode with integrated control circuit.
- Support RS232C & I<sup>2</sup>C interface for control and monitoring
- Power supply voltage : +3.3V
- Electrical power consumption: less than 2.5W
- Operating temperature range : 0 ~ 60°C



## Applications

- C-Band & L-Band
- Single Channel Amplification
- Pre-Amplification for 40G

# Miniature type EDFA



## Specifications

Parameter		Min.	Typ.	Max.	Unit	Note	
Optical	Operating wavelength	C-Band	1530 .	.	1560	nm	
		L-Band	1570		1600		
	Number of channel			1	Ch.		
	Normal input power	-10		0	dBm		
	Normal output power		13		dBm		
	Optical Isolation(In/Out)	20			dB		
	Noise figure	C-Band			6	dB	1
		L-Band			7		
Return loss		40			dB		
Electrical	Operating voltage		3.3		Vdc		
	Power consumption		1.5	2.5	W		
	Interface signal level		3.3		Vdc		
	Interface method	RS-232C, I <sup>2</sup> C, LVTTL					
Unit dimension	Case Size	70(W) X 45(H) X 15(D)			mm		

Notes:

1. Entire operating wavelength and temperature